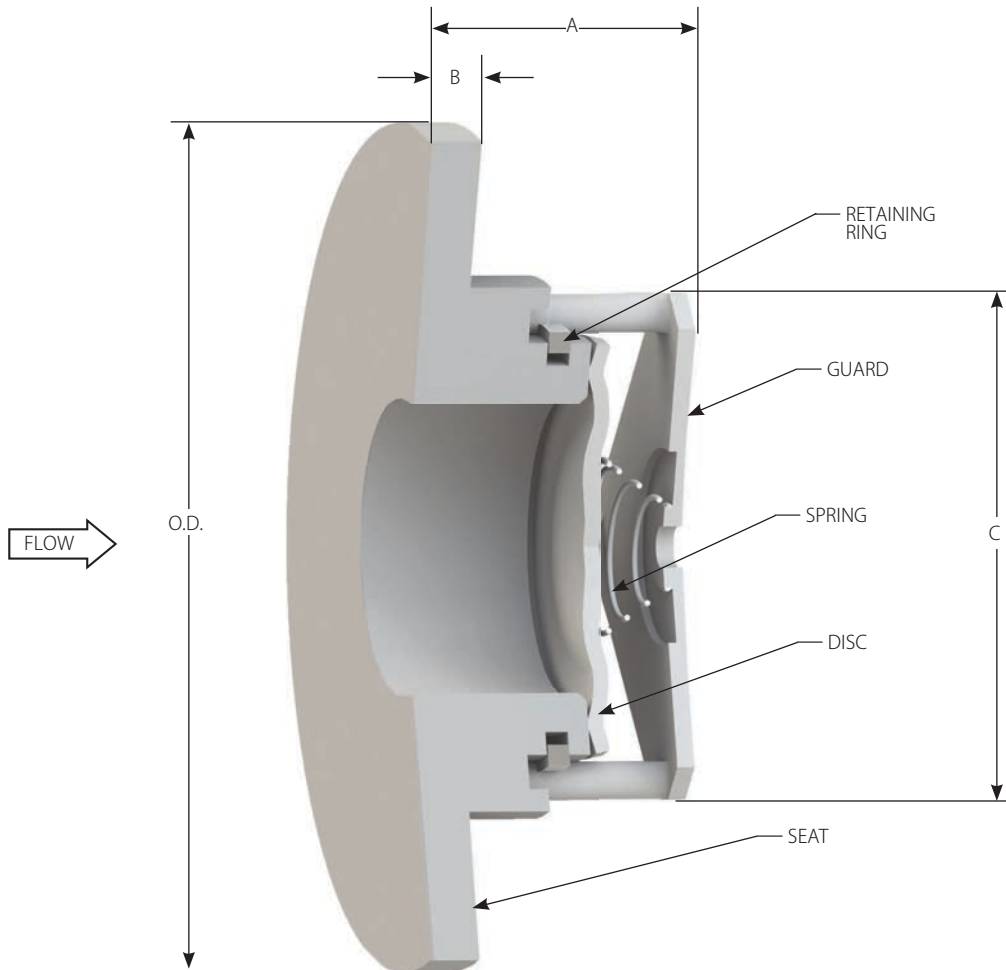


The **FBC Check Valve** is a compact, lightweight, insert wafer check valve that easily installs between two flanges. The non-slam, spring-assisted design prevents “water hammer” and “reverse flow”. The FBC Check Valve contains all of the proven features of the Basic-Check® valve developed originally by DFT® and still in use after 70 years. Like the Basic-Check® Valve, the metal-to-metal sealing area of the disc and seat is precision lapped, providing tight shutoff for applications involving liquids, gases or steam. Resilient soft seats are available for applications requiring bubble-tight shutoff.



FEATURES:

- Spring-assisted silent closing
- Horizontal or vertical installations
- Sizes 1” through 4”
- ASME/ANSI Class 150 and 300
- Stainless steel seat, disc, guard, retaining ring & spring
- Cracking pressure: 0.6 to 0.15 psi (See chart)
- Temperatures to 450°F for standard valves
- Extended tag for easy identification of the installed valve
- Use in Schedule 40 or Schedule 80 pipe (See chart on pg. 37)
- Meets ASME B16.34 & MSS SP-126
- Flange finish per MSS SP-6
- Seat leakage per MSS SP-61
- Options:
 - Soft seat (for bubble-tight shutoff)
 - Inconel® X-750 spring



Consult pages 48 and 49 for Pressure/Temperature ratings and soft seat materials.

MATERIALS OF CONSTRUCTION

COMPONENT		
Seat		A479 316
Disc	1" to 3"	316 SS
	4"	17-7 SS
Guard		316 SS
Spring		316 SS
Retaining Ring		316 SS

PRESSURE TEMPERATURE RATING — 316 SS (PSIG) (1)

Temp. (°F)	ASME/ANSI CLASS	
	150	300
100	275	720
200	235	620
250 (2)	225	590
300 (3)	215	560
400 (4)	195	515
450	180	495

SOFT SEAT

Maximum operating temperatures of materials

MATERIALS	MAX. TEMP. (°F)
BUNA-N	-70 to 250
EPDM	-75 to 300
VITON® & TFE-Encapsulated VITON®	-40 to 400
ZELON®	37 to 470

- Notes:**
1. Pressure/temperature ratings in accordance with ASME/ANSI B16.34
 2. Maximum temperature for Buna
 3. Maximum temperature for EPDM
 4. Maximum temperature for Viton®, TFE-encapsulated Viton® and Zelon®
- * Fits schedule 40 pipe only.
 ** Fits schedule 40 and schedule 80 pipe ID.

All dimensions are in inches. Weights are in pounds. For metric measurements, visit www.dft-valves.com. CP: Cracking Pressure (psig)

Class	150/300	150
1"*	A	0.87
	B	0.25
	C	1.03
	O.D.	2.00
	Weight	0.2
	Cv	5.8
	CP	0.60
1 1/2"*	A	1.10
	B	0.25
	C	1.56
	O.D.	2.88
	Weight	0.6
	Cv	13.2
	CP	0.45
2"***	A	1.22
	B	0.25
	C	1.94
	O.D.	3.62
	Weight	0.9
	Cv	23.1
	CP	0.38
2 1/2"***	A	1.31
	B	0.25
	C	2.40
	O.D.	4.12
	Weight	1.2
	Cv	36
	CP	0.2
3"***	A	1.47
	B	0.31
	C	2.97
	O.D.	5.00
	Weight	2.2
	Cv	57.4
	CP	0.14
4"***	A	2.11
	B	0.38
	C	3.70
	O.D.	6.19
	Weight	5.2
	Cv	90
	CP	0.15

Not recommended for use on discharge of reciprocating compressors.