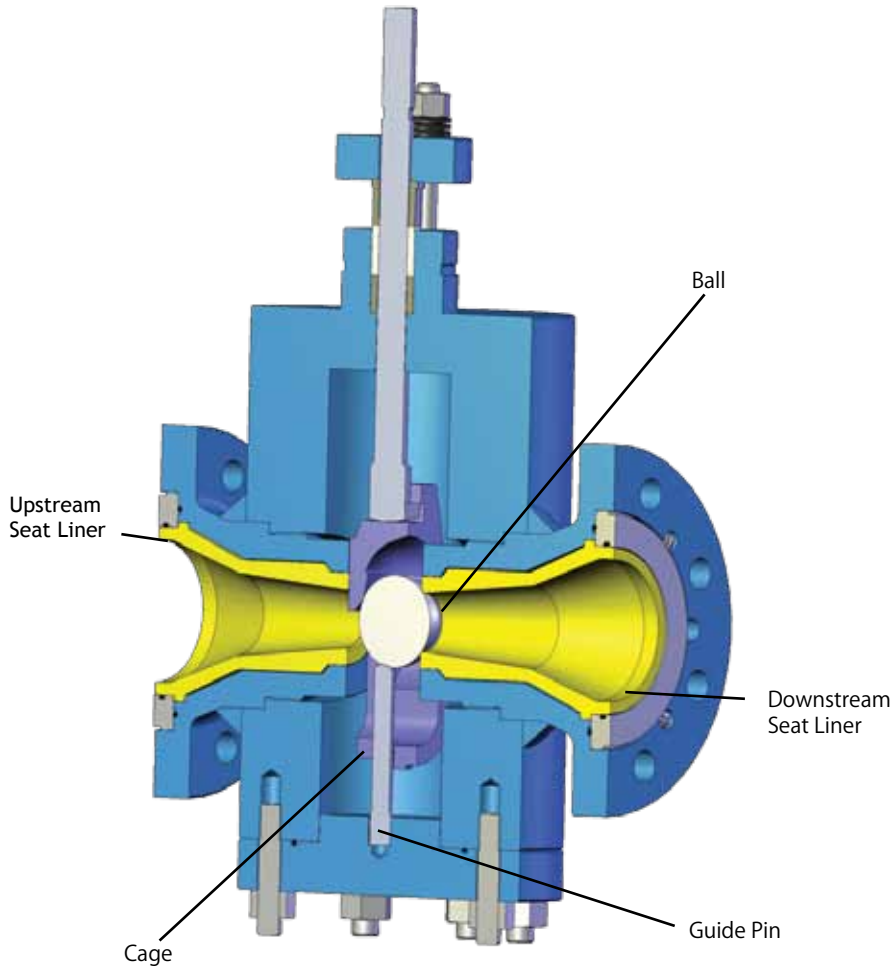


# DFT® ULTRA-TROL®

The DFT ULTRA-TROL® Control Valve features hardened sleeves for slurry applications. This style valve is designed for flanged end applications and bench replacement of the seat insert. The internal design is the same in-line venturi flow design used for the HI-100®. The control element, a spherical ball, is contained by a cage which positions it relative to the downstream seat. Stem travel is linear and operating thrusts are low. The result is excellent control in tough environments. The ball, cage and stem can be replaced in-line through the bottom cover.



## FEATURES:

- Straight-thru design
- 1/2" to 6"
- Carbon Steel, Alloy Steel  
Stainless and High Alloys
- ANSI RF, RTJ or DIN Ends
- Linear Characteristic
- Hardened Sleeves
- Temperatures:  
-425° F to 1000° F
- Bench Repair
- Manual, Pneumatic, or  
Electric
- Low Operating Thrust
- Bottom Entry

### Ultra-Trol Maximum Flow Coefficient

Size NPS	1/2	3/4	1	1 1/4	1 1/2	2	2.5	3	4	6
Size DN	15	20	25	32	40	50	65	80	100	150
Cv (Kv)	4.5(3.9)	10(8.6)	20(17)	31(27)	45(39)	80(69)	125(108)	180(155)	320(275)	720(621)