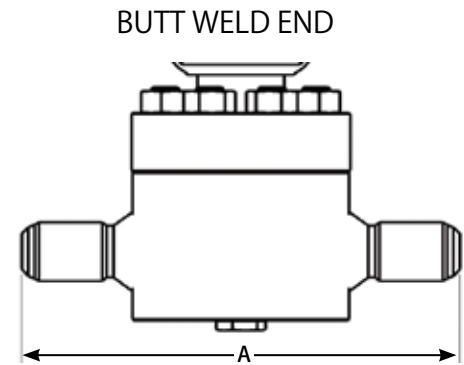
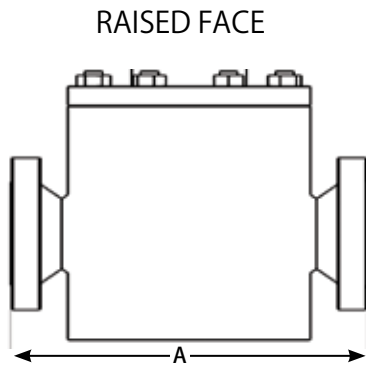


DFT® HI-100®

Face to Face Dimensions



Nominal Valve Size		HI-100 Face to Face Dimensions*											
		ASME Class 150		ASME Class 300		ASME Class 600		ASME Class 900		ASME Class 1500		ASME Class 2500	
NPS	DN	in	mm	in	mm	in	mm	in	mm	in	mm	in	mm
1/4	8	4.00	102										
3/8	10	4.00	102										
1/2	15	4.25	108	6.00	152	6.50	165	8.50	216	8.50	216	10.38	264
3/4	20	4.62	117	7.00	178	7.50	190	9.00	229	9.00	229	10.75	273
1	25	5.00	127	8.00	203	8.50	216	10.00	254	10.00	254	12.12	308
1 1/4	32	5.50	140	8.50	216	9.00	229	11.00	279	11.00	279	13.75	349
1 1/2	40	6.50	165	9.00	229	9.50	241	12.00	305	12.00	305	15.12	384
2	50	8.00	203	10.50	267	11.50	292	14.50	368	14.50	368	17.75	451
2 1/2	65	8.50	216	11.50	292	13.00	330	16.50	419	16.50	419	20.00	508
3	80	9.50	241	12.50	318	14.00	356	15.00	381	18.50	470	22.75	578
4	100	11.50	292	14.00	356	17.00	432	18.00	457	21.50	546	26.50	673
6	150	16.00	406	17.50	445	22.00	559	24.00	610	27.75	705	36.00	914
8	200	19.50	495	22.00	559	26.00	660	29.00	737	32.75	832	40.25	1022

* Dimensions per ASME B16.10. Valves can be supplied to meet end user requirements.
Class 4500 and higher pressure valves are supplied to meet end user requirements.

HI-100 Maximum Valve Flow Coefficient							
Size NPS	1/4	3/8	1/2	3/4	1	1 1/4	1 1/2
SizeDN	8	10	15	20	25	32	40
Cv (Kv)	1 (0.9)	2.5 (2.2)	4.5 (3.9)	10 (8.6)	20 (17)	31 (27)	45 (39)
Size NPS	2	2 1/2	3	4	6	8	
SizeDN	50	65	80	100	150	200	
Cv (Kv)	80 (69)	125 (108)	180 (155)	320 (275)	720 (621)	1280 (1103)	

DFT® and HI-100® are Registered Trademarks of DFT Inc.

* Larger sizes consult factory.