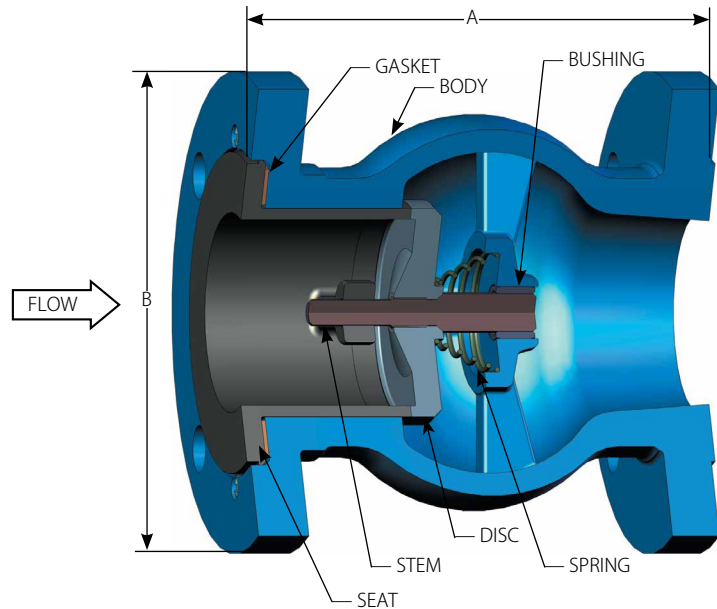


The **DFT® Model GLC Silent Check Valve** is a spring-assisted, center-guided, non-slam, flanged check valve that provides reliable, low-maintenance service for a wide range of fluids and pressure/ temperature combinations. The valve consists of a body, seat, spring, disc with stem, guide bushing and gasket. The DFT GLC check valve has the advantage of minimum pressure loss with silent operation.

FEATURES:

- "Short" Face-to-Face dimensions
- API 6FD Fire Test
 - ASME Class 150 and 300
 - 2" to 24"
- Standard body materials:
 - A216 Grade WCB carbon steel
 - A351 CF8M stainless steel
- Optional body materials:
 - Alloy 20
 - Duplex SS
 - Hastelloy®
 - Monel®
 - Nickel-Aluminum Bronze (See page 39)
- One-piece body
- Spring-assisted silent closing, non-slam
- Center-guided
- Dual-guided stem
- Horizontal or vertical installation
- Protected spring
- Easy maintenance
- Versatile
- ASME Class 150 To 2500 (See chart)
 - 1" to 42" Line size
 - 316 SS trim
 - RF Flanged ends
 - MSS-SP61 seat leakage
- Axial flow
- Nozzle style
- OPTIONS:
 - Inconel® X-750 Spring
 - Soft seat
 - Custom sizing low flow
 - Severe service trim
 - Stellite® trim
 - RTJ Ends (3)
 - NACE (Page 41)



MATERIALS OF CONSTRUCTION

COMPONENT	CARBON STEEL BODY	STAINLESS STEEL BODY
Body	A216 WCB	A351 CF8M
Disc/Stem Assembly	A351 CF8M/A479 316	A351 CF8M/A479 316
Seat	A351 CF8M	A351 CF8M
Spring (1)	A313 316	A313 316
Bushing	A479 316	A479 316
Gasket (2)	CFG/316 SS/Graphite	

Consult pages 42 and 43 for Pressure/Temperature ratings and soft seat materials.

Class	150 RF	300 RF	600 RF	900 RF	1500 RF	2500 RF
1"	A	4.50	4.75	5.25	*	*
	B	4.25	4.88	4.88		
	Weight	7	9	11		
	Cv	17	19	17		
	CP	0.85	0.85	0.85		
1 1/2"	A	5.75	6	6.63	7.38	7.38
	B	5	6.13	6.13	7	7
	Weight	13	17	19	30	30
	Cv	35	35	35	26	26
	CP	0.29	0.29	0.29	0.64	0.40
2"	A	6.25	6.50	7.25	8.25	8.25
	B	6	6.50	6.50	8.50	8.50
	Weight	17	23	25	56	56
	Cv	63	63	63	46	46
	CP	0.29	0.29	0.29	0.32	0.32
2 1/2"	A	7.00	7.25	*	9	9
	B	7.00	7.50		9.63	9.63
	Weight	31	41		78	78
	Cv	100	100		81	81
	CP	0.18	0.18		0.11	0.11
3"	A	7.50	7.88	8.63	9.13	9.88
	B	7.50	8.25	8.25	9.50	10.50
	Weight	33	46	57	87	110
	Cv	148	148	125	114	114
	CP	0.20	0.20	0.41	0.26	0.52
4"	A	8.50	9.13	10.13	10.63	11.38
	B	9	10	10.75	11.50	12.25
	Weight	51	71	115	127	164
	Cv	260	267	237	217	192
	CP	0.49	0.48	0.54	0.49	0.67
5"	A	9.50	10.38	*	*	*
	B	10	11			
	Weight	72	89			
	Cv	415	415			
	CP	0.28	0.28			
6"	A	10	11	12.38	13	15.13
	B	11	12.50	14	15	15.50
	Weight	91	140	175	271	385
	Cv	620	620	549	549	441
	CP	0.41	0.39	0.46	0.46	0.42

Notes: 1. Inconel® X-750 spring is available.
 2. CFG corrugated flexible graphite (Class 150 & 300), 316 SS/Graphite Spiral Wound (Class 600 & up)
 3. Contact DFT for availability
 * Consult DFT for valve availability.

Class	150 RF	300 RF	600 RF	900 RF	1500 RF	2500 RF
8"	A	12	13	14.63	15.25	17.50
	B	13.5	15	16.50	18.50	19
	Weight	172	232	332	396	670
	Cv	1030	933	1115	851	742
	CP	0.41	0.45	0.45	0.50	0.55
10"	A	14	15.38	17.13	17.63	23
	B	16	17.50	20	21.50	23
	Weight	266	348	450	539	1281
	Cv	1630	1704	1782	1499	1231
	CP	0.55	0.52	0.35	0.64	0.53
12"	A	18	19.50	21.25	*	44.50
	B	19	20.50	22		26.50
	Weight	387	550	730		2550
	Cv	2370	2370	2272		1689
	CP	0.47	0.49	0.41		0.60
14"	A	21	23	22.44	*	*
	B	21	23	23.75		*
	Weight	456	724	975		
	Cv	*	*	*		
	CP	0.52	0.43	0.43		
16"	A	22.50	24	26	25.81	*
	B	23.50	25.5	27	27.75	*
	Weight	700	898	1450	1940	
	Cv	*	*	*	*	
	CP	0.51	0.59	0.59		
18"	A	24	24	*	*	*
	B	25	30.88			*
	Weight	753	1255			
	Cv	*	*			
	CP	0.59	0.59			
20"	A	24	24	30	*	*
	B	27.50	30.50	32		*
	Weight	1425	1686	2636		
	Cv	*	*	*		
	CP	0.49	0.55	0.59		
24"	A	28	28	29.33	*	*
	B	32	36	37		*
	Weight	1571	2420	3470		
	Cv	*	*	*		
	CP	0.44	0.46	.57		
30"	A		36			
	B		43			
	Weight		4570			
	Cv		*			
	CP		0.50			

All dimensions are in inches. Weights are in pounds. For metric measurements, visit www.dft-valves.com. CP: Cracking Pressure (psig)