

**GPV™ Wafer Check Valves** feature a non-slam spring-assisted design to prevent flow reversal for liquids and gases. The edge-guided disc and center-guided stem ensure that the soft-seated disc will always find its home and provide bubble tight shutoff. The 316 stainless steel construction provides superior corrosion protection.



## FEATURES:

- Spring-assisted silent closing
- ASME Class 150, 300/600
- 316 Stainless steel body, disc & retainer
- Inconel® X-750 spring
- Hydrogen peroxide-cured 90 Durometer Buna-N soft seat for bubble-tight shutoff
- Temperatures to 250°F
- Horizontal or vertical installations
- Meets:
  - B16.34-2004
  - MSS SP-61

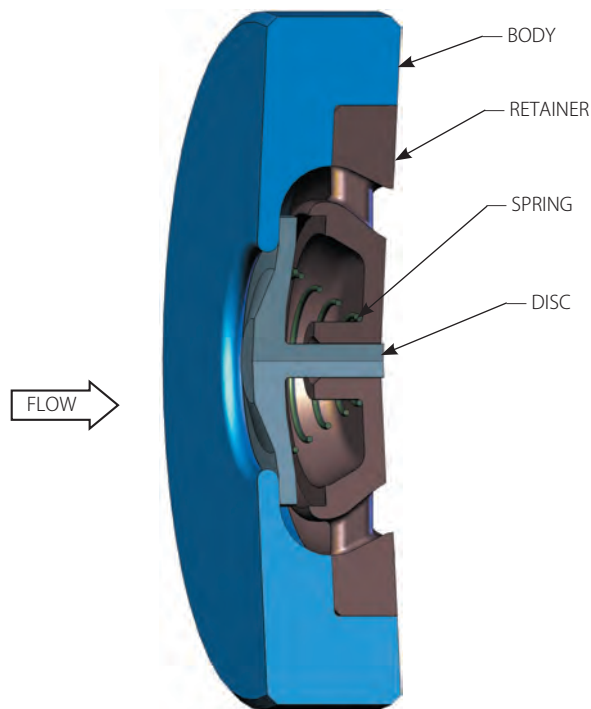
## MATERIALS OF CONSTRUCTION

| COMPONENT      |          |
|----------------|----------|
| Seat           | A479 316 |
| Disc           | 316 SS   |
| Guard          | 316 SS   |
| Spring         | 316 SS   |
| Retaining Ring | 316 SS   |

Consult pages 40 and 41 for Pressure/Temperature ratings and soft seat materials.

## PRESSURE TEMPERATURE RATING — 316 SS (PSIG) (1)

| Temp. (F°) | ASME CLASS |     |      |
|------------|------------|-----|------|
|            | 150        | 300 | 600  |
| 100        | 275        | 720 | 1440 |
| 200        | 235        | 620 | 1240 |
| 250 (2)    | 225        | 590 | 1180 |
| 300 (3)    | 215        | 560 | 1120 |
| 400 (4)    | 195        | 515 | 1025 |
| 450        | 180        | 495 | 990  |



|           | Class        | 150  | 300/600 |
|-----------|--------------|------|---------|
| <b>2"</b> | O.D.         | 4.12 | 4.38    |
|           | Face-to-Face | 0.75 | 0.75    |
|           | Weight       | 2.6  | 3.0     |
|           | Cv           | 21   | 21      |
|           | CP           | 0.40 | 0.40    |

- Notes:**
1. Pressure/temperature ratings in accordance with ASME B16.34-2004
  2. Maximum temperature for Buna-N
  3. Maximum temperature for EPDM
  4. Maximum temperature for Viton®, TFE-encapsulated Viton® and Zelon.

All dimensions are in inches. Weights are in pounds. CP: Cracking Pressure (psig)