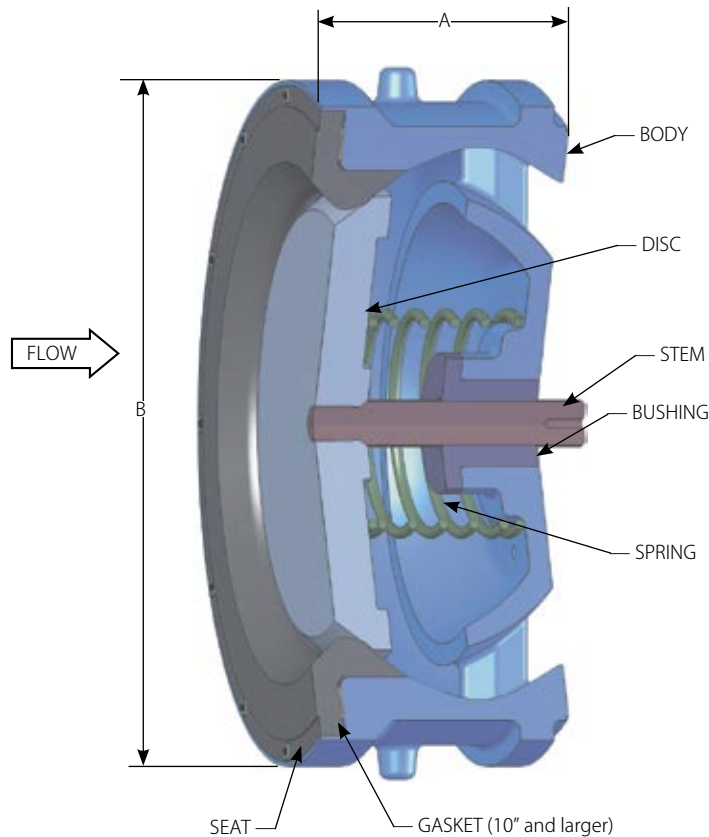


The **ALC Check Valve** is a non-slam spring-assisted, center-guided “wafer” check valve designed to prevent “water hammer” and “reverse” flow. The lightweight compact design fits between mating flanges and meets API 594 Face-to-Face dimensions. The ALC Check Valve is an easy-to-maintain check valve for applications involving liquids, gases or steam. Tapped holes are provided in the body for lifting lugs to assist with installation (10” and larger sizes only).



FEATURES:

- API 594 Face-to-Face dimensions
- RF Wafer ends
- Spring-assisted silent closing
- Sizes 2” thru 24”
- Horizontal or vertical installation
- ASME Class 150 and 300
- Standard body materials:
 - A216 Grade WCB carbon steel
- A351 CF8M stainless steel
- Stainless steel seat, disc & bushing
- Nitronic[®] 60 stem
- Inconel[®] X-750 Spring
- Seat Leakage per MSS SP-61
- Tapped holes in body for lifting lugs (10” size and larger)
- Axial flow
- Nozzle style
- Options:
 - 316 SS spring
 - Custom sizing - low flow
 - Soft seat
 - NACE (See page 43)
 - Tapped lug design available (Consult DFT for availability)



Consult pages 44 and 45 for Pressure/Temperature ratings and soft seat materials.

Class	150 RF	300 RF	
2"	A	2.38	2.38
	B	4.25	4.25
	Weight	5.7	5.7
	Cv	120	120
	CP	0.65	0.65
2 1/2"	A	2.62	2.62
	B	5.00	5.00
	Weight	7.5	7.5
	Cv	205	205
	CP	0.69	0.69
3"	A	2.88	2.88
	B	5.75	5.75
	Weight	12.25	12.25
	Cv	260	260
	CP	0.63	0.63
4"	A	2.88	2.88
	B	7.00	7.00
	Weight	17.4	17.4
	Cv	430	430
	CP	0.59	0.59
6"	A	3.88	3.88
	B	9.75	9.75
	Weight	38	38
	Cv	825	825
	CP	0.59	0.59

Class	150 RF	300 RF	
8"	A	5.00	5.00
	B	12.00	12.00
	Weight	70	70
	Cv	1310	1310
	CP	0.55	0.55
10"	A	5.75	5.75
	B	14.00	14.00
	Weight	115	115
	Cv	1875	1875
	CP	0.53	0.53
12"	A	7.13	7.13
	B	16.38	16.38
	Weight	200	200
	Cv	2525	2525
	CP	0.53	0.53
14"	A	7.25	8.75
	B	17.63	19.00
	Weight	225	320
	Cv	2950	3275
	CP	0.55	0.55

Class	150 RF	300 RF	
16"	A	7.50	9.13
	B	20.13	21.00
	Weight	315	430
	Cv	*	*
	CP	0.50	0.50
18"	A	8.00	10.38
	B	21.50	23.25
	Weight	390	594
	Cv	*	*
	CP	0.55	0.55
20"	A	8.62	11.50
	B	23.75	25.63
	Weight	545	760
	Cv	*	*
	CP	0.54	0.57
24"	A	8.75	12.50
	B	28.13	30.38
	Weight	745	1200
	Cv	*	*
	CP	0.52	0.57

* Consult DFT factory

MATERIALS OF CONSTRUCTION

COMPONENT	CARBON STEEL BODY	STAINLESS STEEL BODY
Body	A216 Grade WCB	A351 CF8M
Disc/Stem Assembly	316 SS/Nitronic® 60	316 SS/Nitronic® 60
Seat	316 SS	316 SS
Spring	Inconel® X-750	Inconel® X-750
Bushing	316 SS (1)	316 SS (1)
Gasket (2)	CFG (3)	CFG (3)

- Notes:**
1. Teflon® bushing on 14", 16", 18", 20" and 24". Max temperature 450° F.
 2. Gaskets only used on valves 10" and larger.
 3. 316/Graphite material.

All dimensions are in inches. Weights are in pounds. For metric measurements, visit www.dft-valves.com. CP: Cracking Pressure (psig)