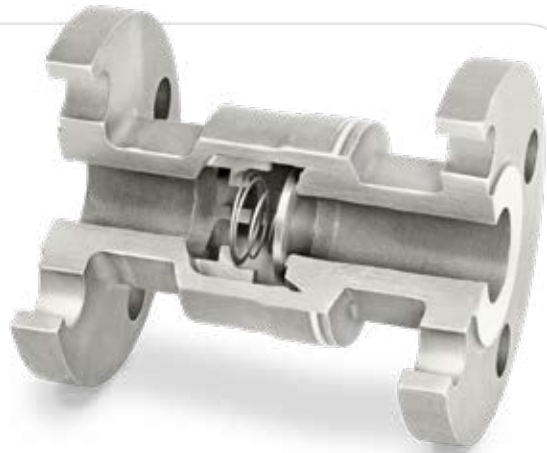
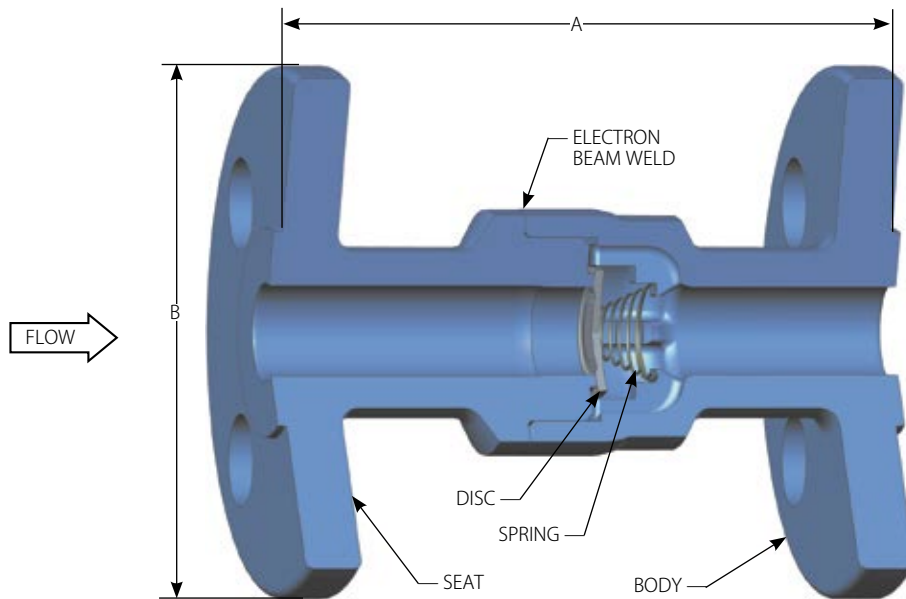


The **DFT® Model DLC Check Valve** is a corrosion-resistant, dependable, versatile and economical spring assisted, non-slam check valve for a wide range of applications. Whether the fluid is liquid, gas or steam, the DLC check valve provides tight shutoff and protects other equipment in the system from water hammer. Its stainless steel construction insures a long service life.



### FEATURES:

- ANSI B16.10 Face-to-Face dimensions
- Spring-assisted silent closing, non-slam
- 1/2" to 3" Line size
- ASME Class 150 and 300
- Standard body material: - A351 CF8M
- Optional body materials:
  - Alloy 20
  - Hastelloy®
- Stainless steel construction
- Raised face flanged ends
- Inconel® X-750 spring
- Electron beam welded body
- Meets ASME B16.34 - 2013
- Horizontal or vertical installation
- Body-guided disc
- Tight shutoff - lapped disc & seat
- Simplified construction - 4 parts
- Versatile
- Options:
  - 316 SS Springs
  - NACE (Page 43)
  - Soft seat (only Teflon® Encapsulated Viton® available)



## PRESSURE TEMPERATURE RATING (PSIG) (1)

Temp. (°F)	A351 CF8M		Temp. (°F)	Alloy 20 (CN7M)		Hastelloy® C (CW-12MW)	
	ASME 150	ASME 300		ASME 150	ASME 300	ASME 150	ASME 300
-460	275	720	-325	230	600	230	600
100	275	720	100	230	600	230	600
200	235	620	200	200	520	210	550
300	215	560	300	180	465	200	520
400	195	515	400	160	420	190	490
500	170	480	500	150	390	170	465
600	140	450	600	140	360	140	440
700	110	435	700			110	420

## MATERIALS OF CONSTRUCTION

COMPONENT	
Body	A351 CF8M
Seat	A351 CF8M
Disc	316 SS
Spring	Inconel® X-750

Class	150 RF	300 RF	
<b>1/2"</b>	<b>A</b>	4.25	6.00
	<b>B</b>	3.50	3.75
	<b>Weight</b>	3.2	4.5
	<b>Cv</b>	7	7
	<b>CP</b>	0.29	0.29
<b>3/4"</b>	<b>A</b>	4.62	7.00
	<b>B</b>	3.88	4.62
	<b>Weight</b>	4.5	7.2
	<b>Cv</b>	13	13
	<b>CP</b>	0.24	0.24
<b>1"</b>	<b>A</b>	5.00	8.50
	<b>B</b>	4.25	4.88
	<b>Weight</b>	6.0	9.9
	<b>Cv</b>	22	22
	<b>CP</b>	0.36	0.36
<b>1 1/2"</b>	<b>A</b>	6.50	9.50
	<b>B</b>	5.00	6.12
	<b>Weight</b>	11.7	18.5
	<b>Cv</b>	54	54
	<b>CP</b>	0.24	0.24
<b>2"</b>	<b>A</b>	8.00	10.50
	<b>B</b>	6.00	6.50
	<b>Weight</b>	19.1	24.3
	<b>Cv</b>	93	93
	<b>CP</b>	0.42	0.23
<b>3"</b>	<b>A</b>	9.50	12.50
	<b>B</b>	7.50	8.25
	<b>Weight</b>	39.2	50.5
	<b>Cv</b>	180	180
	<b>CP</b>	0.20	0.20

**Notes:** 1. Pressure/temperature ratings in accordance with ASME/ANSI B16.34-2013.

All dimensions are in inches. Weights are in pounds. For metric measurements, visit [www.dft-valves.com](http://www.dft-valves.com). CP: Cracking Pressure (psig)