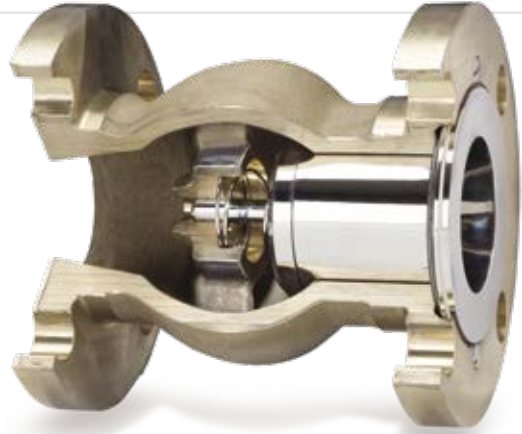


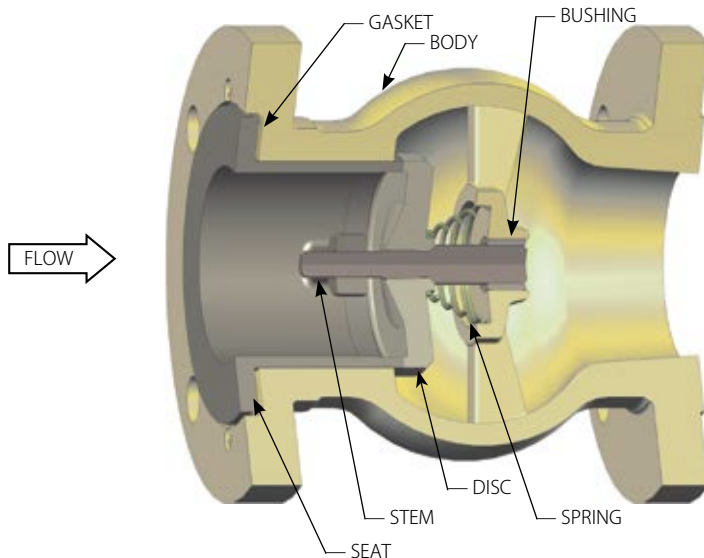
# GLC® - NAB

The **DFT® GLC® NAB (Nickel-Aluminum Bronze) Silent Check Valve** is a spring-assisted, nozzle style, non-slam check valve that is designed to withstand the harsh environments of salt and brackish water applications where corrosion resistance and marine life deterrents are a must. DFT's center guided check valves provide reliable, low-maintenance service and solve the problems associated with water hammer and severe applications and environments.



## FEATURES:

- "Short" Face-to-Face dimensions
- Standard body materials:
  - Nickel-Aluminum Bronze
- One-piece body
- Spring-assisted silent closing, non-slam
- Center-guided
- Dual-guided stem
- Horizontal or vertical installation
- Protected spring
- Easy maintenance
- Versatile
- ASME Class 150 & 300
  - 1" to 24" Line size
- Flat face flanged ends
  - MSS-SP61 seat leakage
- Axial flow
- Nozzle style
- Options:
  - Inconel® X-750 Spring
- Soft seat
- Custom sizing low flow
- Severe service trim
- Stellite® trim
- Trim Options:
  - Nickel-Aluminum Bronze
  - Monel®
  - Stainless Steel
  - Duplex SS



All dimensions are in inches. Weights are in pounds. For metric measurements, visit [www.dft-valves.com](http://www.dft-valves.com). CP: Cracking Pressure (psig)