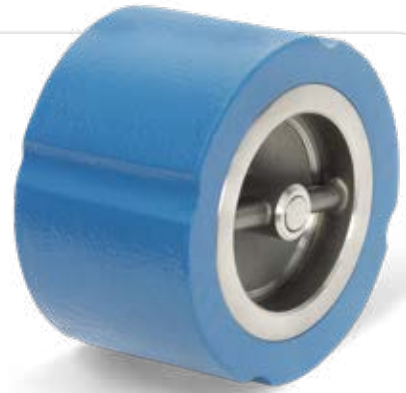


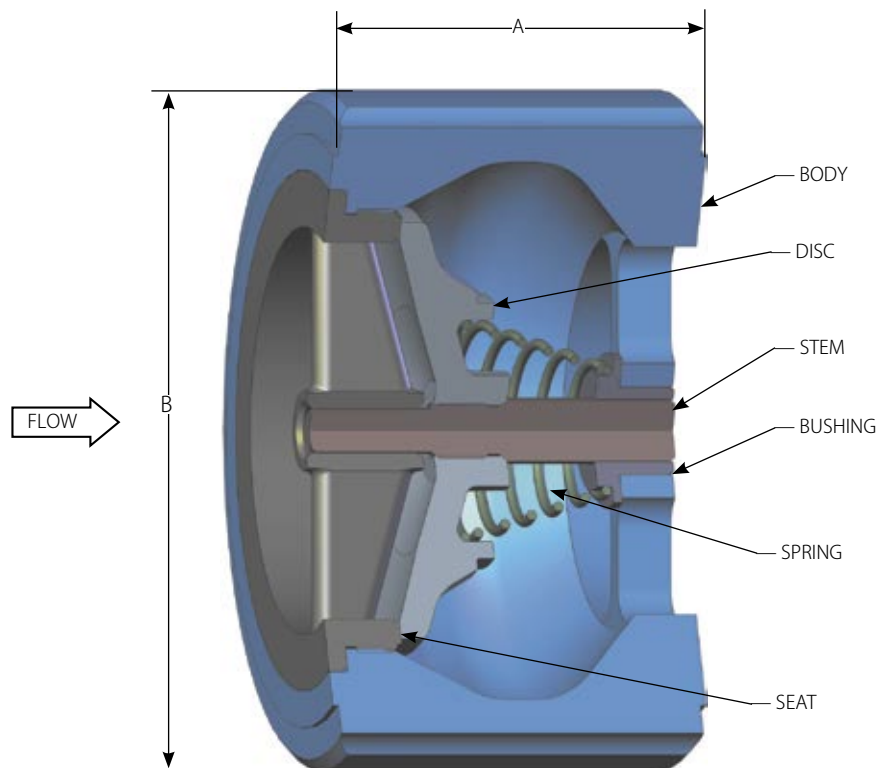
# WLC®-Cast Iron

The **DFT® Model WLC-Cast Iron Wafer Style Check Valve** is a lightweight, spring-assisted, center-guided, non-slam check valve that provides reliable, low-maintenance service for a wide range of fluids and pressure/ temperature combinations. The joint between the seat ring and body is sealed by the flange gasket upon installation, preventing any leakage through the joint when the valve is in service.



## FEATURES:

- Wafer design
- Lightweight
- Spring-assisted silent closing
- Center-guided / dual-guided stem
- Horizontal or vertical installation
- Protected spring
- ASME Class 125 & 250
  - 2" to 10" line size
  - Cast iron body
  - Bronze or 316 SS trim
  - Ends: Wafer FF
  - AWWA seat leakage
- Axial flow
- Nozzle style
- Options:
  - Buna-N Soft Seat



Consult pages 44 and 45 for Pressure/Temperature ratings and soft seat materials.

# WLC<sup>®</sup>-Cast Iron

Class	125 CAST IRON FF	250 CAST IRON FF	
<b>2"</b>	<b>A</b>	2.63	2.63
	<b>B</b>	4.25	4.25
	<b>Weight</b>	6	6
	<b>Cv</b>	66	66
<b>2 1/2"</b>	<b>A</b>	2.88	2.88
	<b>B</b>	5	5
	<b>Weight</b>	7	7
	<b>Cv</b>	88	88
<b>3"</b>	<b>A</b>	3.13	3.13
	<b>B</b>	5.75	5.75
	<b>Weight</b>	12	12
	<b>Cv</b>	130	130
<b>4"</b>	<b>A</b>	4	4
	<b>B</b>	7	7
	<b>Weight</b>	18	18
	<b>Cv</b>	228	228
<b>5"</b>	<b>A</b>	4.75	4.75
	<b>B</b>	8.38	8.38
	<b>Weight</b>	27	27
	<b>Cv</b>	350	350
<b>6"</b>	<b>A</b>	5.50	5.50
	<b>B</b>	9.75	9.75
	<b>Weight</b>	42	42
	<b>Cv</b>	520	520
<b>8"</b>	<b>A</b>	6.50	6.50
	<b>B</b>	13.38	13.38
	<b>Weight</b>	85	86
	<b>Cv</b>	900	900
<b>10"</b>	<b>A</b>	8.25	8.25
	<b>B</b>	16	16
	<b>Weight</b>	129	137
	<b>Cv</b>	1450	1450

## PRESSURE TEMPERATURE RATING FOR CAST IRON (PSIG)

Temp. (°F)	CLASS 125	CLASS 250
0-150°	200 psig	400 psig
200° Max (1)	190 psig	370 psig

## MATERIALS OF CONSTRUCTION

COMPONENT	CAST IRON BODY/BRONZE TRIM	CAST IRON BODY/316 TRIM (1)
Body	A126 Class B Cast Iron	A126 Class B Cast Iron
Disc/Stem Assembly	B584 836 - Bronze	A351 CF8M
Seat (2)	B584 836 - Bronze	A351 CF8M
Spring	A313 T302 SS	A313 T302 SS
Bushing	B584 836 - Bronze	316 SS

- Notes:**
1. 316 stainless steel trim recommended for temperatures from 180°F to 200°F.
  2. Buna-N soft seat available for bubble-tight shutoff.

All dimensions are in inches. Weights are in pounds. For metric measurements, visit [www.dft-valves.com](http://www.dft-valves.com). CP: Cracking Pressure (psig)