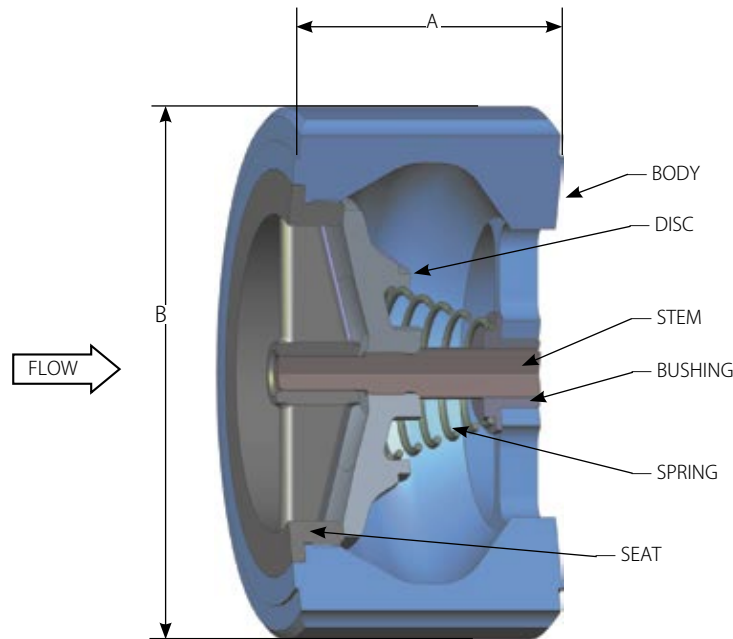


The **DFT® Model WLC Wafer Style Check Valve** is a lightweight, spring-assisted, center-guided, non-slam check valve that provides reliable, low-maintenance service for a wide range of fluids and pressure/ temperature combinations. The joint between the seat ring and body is sealed by the flange gasket upon installation preventing any leakage through the joint when the valve is in service.



## FEATURES:

- Wafer design
- Standard body material:
  - A216 Grade WCB carbon steel
  - A351 CF8M stainless steel
- Optional body materials:
  - Alloy 20
  - Hastelloy®
  - Inconel® 625
  - Duplex SS
  - Titanium
- Lightweight
- Spring-assisted silent closing
- Center-guided/Dual-guided stem
- Horizontal or vertical installation
- Protected spring
- ASME Class 150 to 1500
  - 1" to 10" Line Size
  - 316 SS trim
  - Ends:
    - Wafer RF
    - Wafer RTJ
  - MSS-SP 61 seat leakage
  - MSS 126 Face-to-Face dimension:
    - Class 150 & 300 RF
  - API 594 Face-to-Face dimension:
    - Class 600 RF
    - Class 900 & 1500 RF
- Axial flow
- Nozzle style
- Options:
  - Inconel® X-750 spring
  - Soft seat
  - Custom sizing - low flow
  - Stellite® trim
  - NACE (page 43)
  - Severe Service
  - Tapped lug design available (Contact DFT for availability)



## MATERIALS OF CONSTRUCTION

COMPONENT	CARBON STEEL BODY	STAINLESS STEEL BODY
Body	A216 Grade WCB	A351 CF8M
Disc/Stem Assembly	A351 CF8M/A479 316	A351 CF8M/A479 316
Seat	A351 CF8M	A351 CF8M
Spring	A313 316	A313 316
Bushing	A479 316	A479 316

Consult pages 44 and 45 for Pressure/Temperature ratings and soft seat materials.

Class		150 RF	300 RF	600 RF	900 RF	1500 RF	1500 RTJ	2500 RTJ
<b>1"</b>	<b>A</b>	2	2	2.38	2.38	2.38	2.38	2.38
	<b>B</b>	2.88	2.88	2.88	3.13	3.13	3.13	3.25
	<b>Weight</b>	2	2	2.50	4	4	4	4.75
	<b>Cv</b>	19	19	19	19	19	19	19
	<b>CP</b>	0.36	0.36	0.36	0.44	0.44	0.44	0.44
<b>1 1/2"</b>	<b>A</b>	2.50	2.50	2.88	2.88	2.88	2.88	*
	<b>B</b>	3.75	3.75	3.75	3.88	3.88	3.88	
	<b>Weight</b>	4	4	6.5	8	8	7	
	<b>Cv</b>	36	36	23	23	23	23	
	<b>CP</b>	0.17	0.17	0.44	0.54	0.54	0.54	
<b>2"</b>	<b>A</b>	2.63	2.63	2.38	2.75	2.75	3.13	2.81
	<b>B</b>	4.38	4.38	4.38	5.50	5.50	5.50	5.75
	<b>Weight</b>	4	4	5	14	14	14	17
	<b>Cv</b>	57	57	53	48	48	48	35
	<b>CP</b>	0.24	0.24	0.26	0.24	0.24	0.24	0.97
<b>2 1/2"</b>	<b>A</b>	2.88	2.88		3.63	3.63	3.63	
	<b>B</b>	5.13	5.13		6.50	6.50	6.50	
	<b>Weight</b>	10	10		20	20	20	
	<b>Cv</b>	95	95		70	70	70	
	<b>CP</b>	0.37	0.37		0.18	0.18	0.18	
<b>3"</b>	<b>A</b>	3.13	3.13	2.88	3.25	3.25	3.25	3.38
	<b>B</b>	5.75	5.75	5.75	6.75	6.75	6.75	7.50
	<b>Weight</b>	12	12	11	21	21	21	33
	<b>Cv</b>	140	140	133	113	113	113	80
	<b>CP</b>	0.19	0.19	0.26	0.19	0.19	0.19	0.56
<b>4"</b>	<b>A</b>	4	4	3.13	4	4	4.13	
	<b>B</b>	7.13	7.13	7.50	8.19	8.19	8.25	
	<b>Weight</b>	20	20	21	38	38	38	
	<b>Cv</b>	265	265	234	211	211	211	
	<b>CP</b>	0.19	0.19	0.49	0.46	0.46	0.46	
<b>5"</b>	<b>A</b>	4.63	4.63		6.25	6.25		
	<b>B</b>	8.50	8.50		11.25	11.25		
	<b>Weight</b>	35	35		100	100		
	<b>Cv</b>	360	360		370	370		
	<b>CP</b>	0.29	0.29		0.58	0.58		
<b>6"</b>	<b>A</b>	5.50	5.50	5.38	6.25	6.25	6.25	
	<b>B</b>	9.88	9.88	10.38	11.25	11.25	11.25	
	<b>Weight</b>	41	41	68	100	100	100	
	<b>Cv</b>	506	506	441	370	370	370	
	<b>CP</b>	0.45	0.45	0.66	0.58	0.58	0.58	
<b>8"</b>	<b>A</b>	6.50	6.50	6.50	8	8.13	8.12	
	<b>B</b>	12.13	12.13	12.63	14.05	13.81	13.86	
	<b>Weight</b>	86	86	134	237	244	237	
	<b>Cv</b>	860	860	780	620	620	620	
	<b>CP</b>	0.56	0.56	0.56	0.66	0.66	0.66	
<b>10"</b>	<b>A</b>	8.25			9.50	9.75	9.75	
	<b>B</b>	17.63			17	17	17	
	<b>Weight</b>	138			430	430	426	
	<b>Cv</b>	1355			755	755	755	
	<b>CP</b>	0.45			0.61	0.61	0.61	

Consult DFT for 2500 RF availability.

All dimensions are in inches. Weights are in pounds. For metric measurements, visit [www.dft-valves.com](http://www.dft-valves.com). CP: Cracking Pressure (psig)